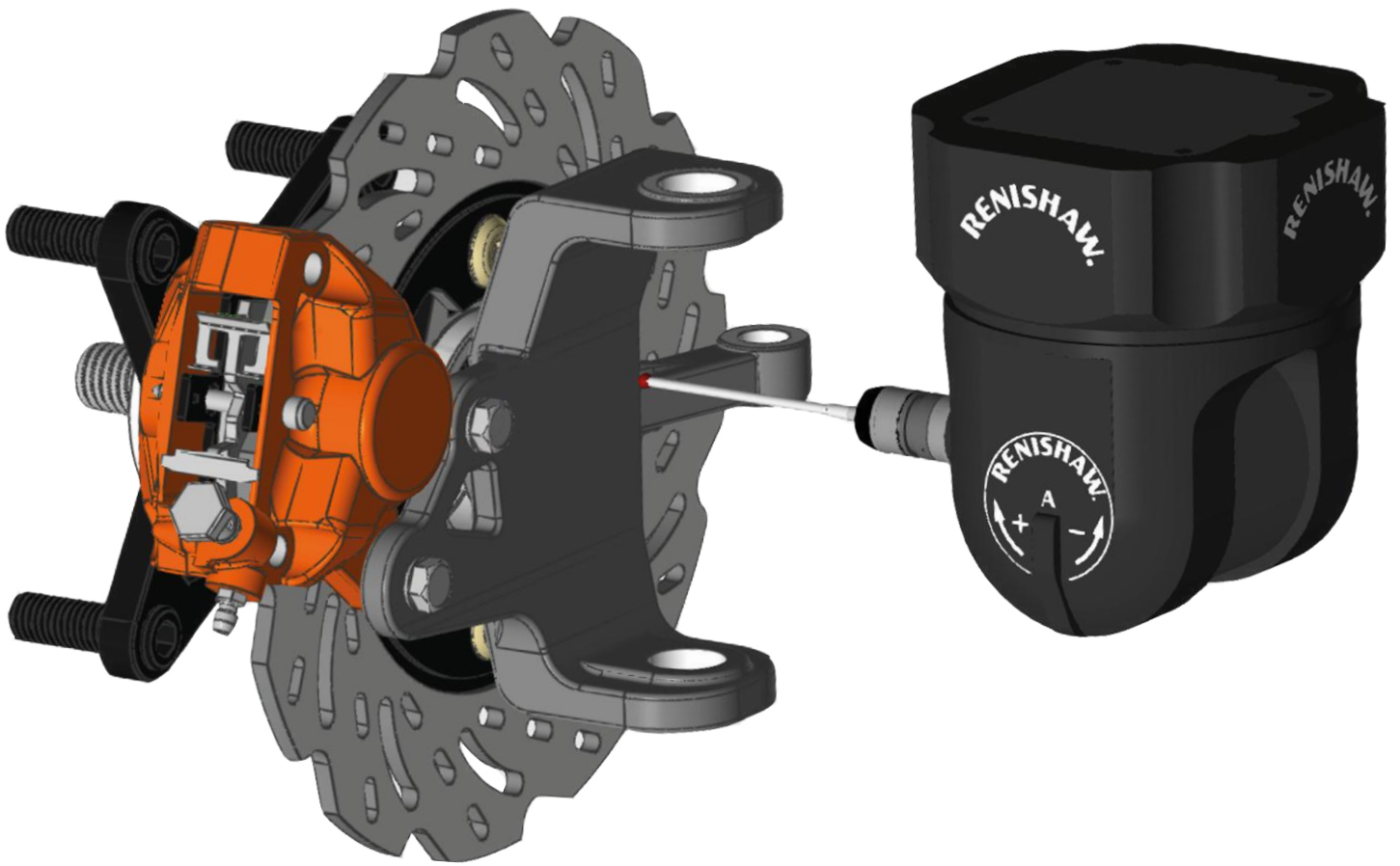


TouchDMIS

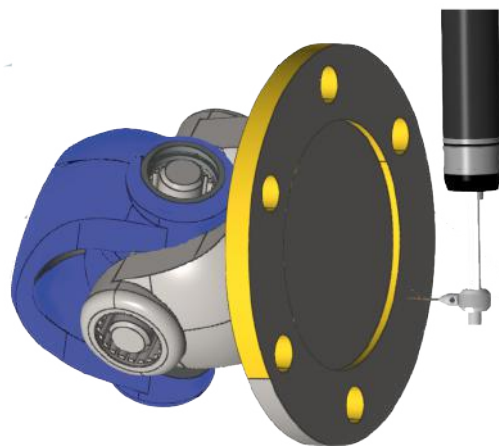
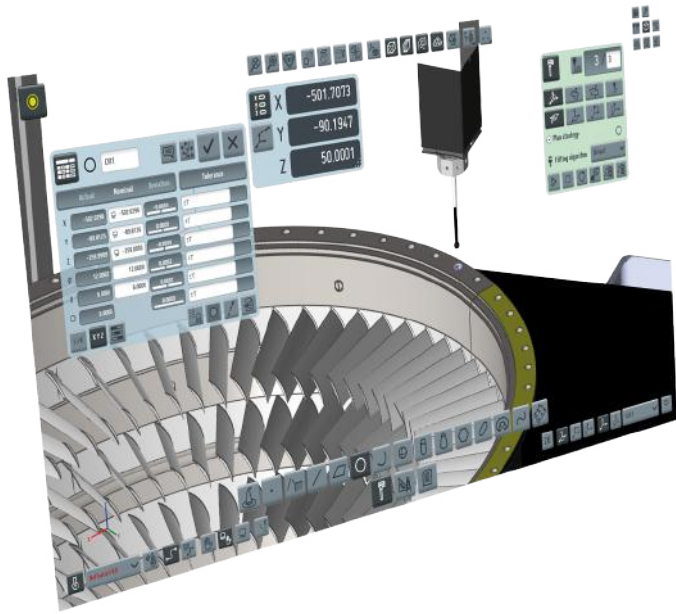
One Touch Measurement



THE MEASURING TOUCH

SMART AND SIMPLE

TOUCH DMIS is a one-of-a-kind solution for **METROLOGY** that provides an impressive user experience and brings the inspection task to next level: **as simple as a touch!**



DIVE INTO A NEW EXPERIENCE

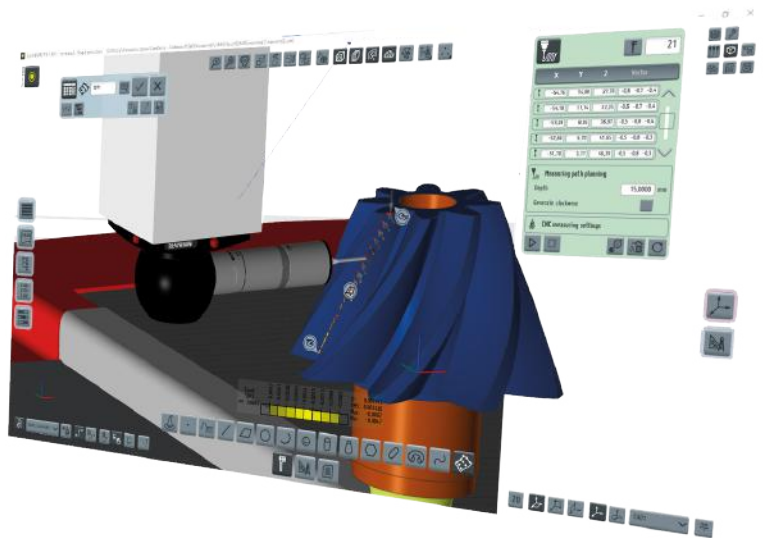
The inspection process has never been more intuitive, making the journey from CAD Import to Report generation very simple. The process of inspection **becomes fun**.

TOUCH DMIS: An industry game changer for **CMM** and portable devices.

FROM ZERO TO HERO IN SNAP

Programming has never been this easy; the graphical user interaction is **taken to the extreme** and finally allows complex DMIS commands to be created with **simplicity**.

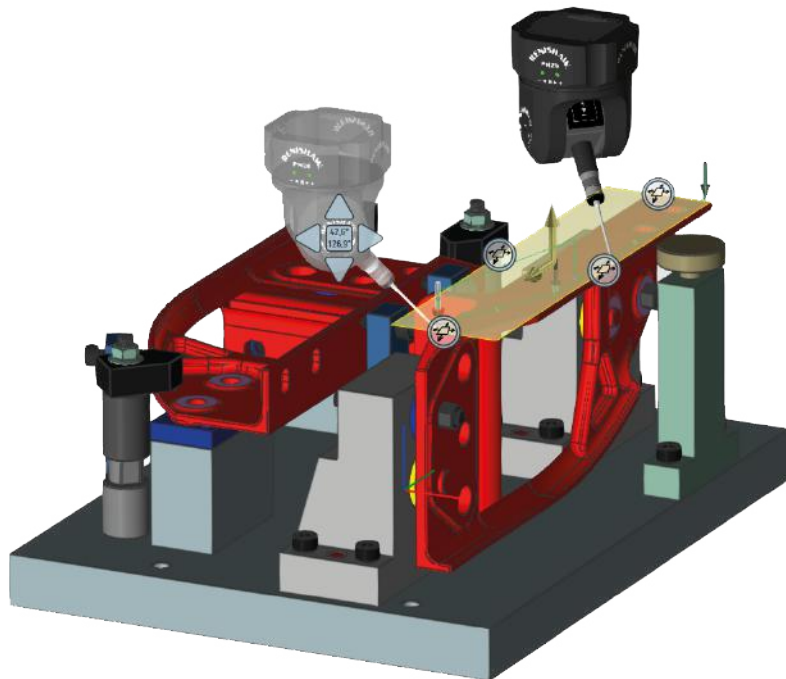
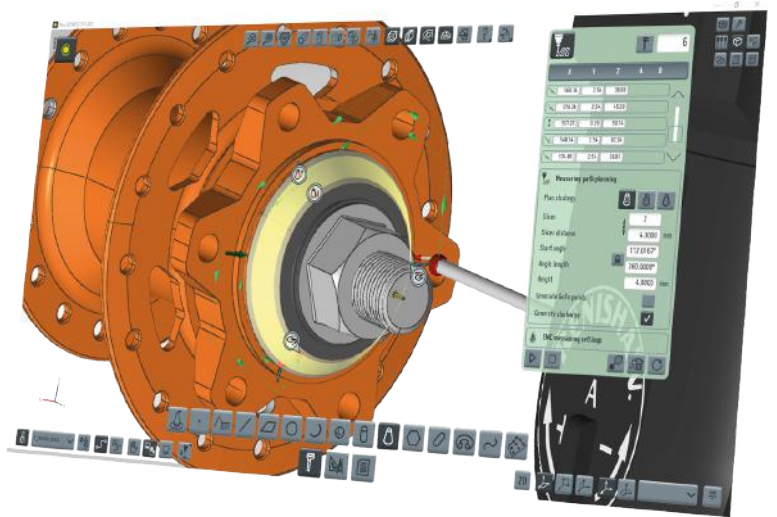
With just a **few touches**, the inspectors complete their task effectively and can relax knowing the inspection is complete and correct. No more extensive training classes and long learning curves are needed. With **TOUCH DMIS**, you **literally put your finger on** the measuring task!



THE ONE-TOUCH

With **predefined settings** for all the features and processes, the definition, inspection and reporting is a **One-Touch operation**.

Import the **CAD model**, from either a **neutral format** or **native format**, and let **TOUCH DMIS** automatically **create** the measurement paths.



WYSIWYG

When you want to edit your program, nothing is easier than making the changes **graphically** in the CAD environment.

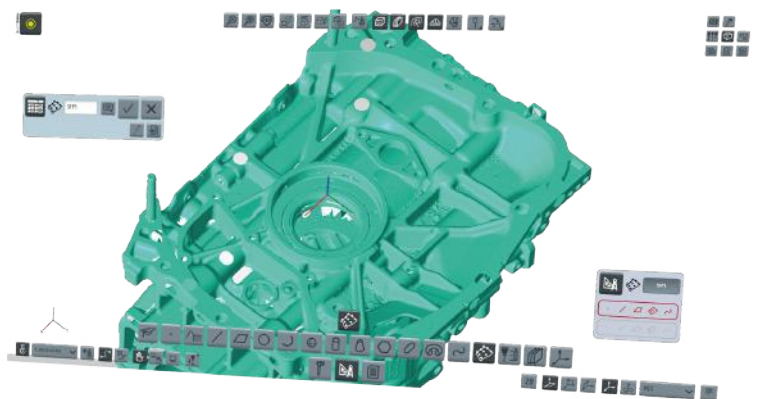
Each individual point or scanning path is visually represented and updated live as **changes are made** and is **simulated offline** prior to the final **run**. Since time is a precious commodity, the user can **immediately review the results**, in a graphical or text format.

TOUCH , SCAN, OR NO TOUCH

Inspection needs are vast and in order to support today's complex parts, the right tools are needed... that is why **TOUCH DMIS** supports a **full range** of probing technologies: touch **trigger**, scanning, **5 axis** and **laser scanner**.

Whether your company has a **manual CMM**, a **DCC CMM**, a **portable arm** or a **laser tracker**, **TOUCH DMIS** supports it and suits your **need for speed**.

Sound like a video game? **Give it a try for a demo and get in touch with the fun of measuring!**



TOUCH DMIS | FEATURES

	Man	Arms	Trackers	Cnc
Measuring Functionalities				
Geometrical features inspection	●	●	●	●
Free forms inspection	●	●	●	●
Automatic feature type detection	●	●	●	●
Automatic features confirmation in manual mode	●	●	●	●
Geometrical constructions with automatic type detection	●	●	●	●
Relative measure	●	●	●	●
Sections creation and inspection	●	●	●	●
Geometrical, free form, RPS Part alignment	●	●	●	●
Iterative RPS Alignment	—	—	—	●
Clearance distance, clearance plane and clearance box	—	—	—	●
Geometrical and GD&T tolerancing	●	●	●	●
DMIS program block and code view	●	●	●	●
Advanced and parametric DMIS programming and macro	●	●	●	●
Different features calculation algorithms	●	●	●	●
Numerical points Filtering	—	—	—	○
Blueprint environment for 2D constructions and reporting	●	●	●	●
Cad model positioning for off-line inspection	—	—	—	●
Point cloud: editing, sections comparison, feature extraction, meshing	—	—	—	○
Holes seek	—	—	—	●
Threaded hole	—	—	—	●
Leap frog	—	●	●	—
Level plane	—	●	●	—
Remote control	—	●	●	—
Output and export				
Graphic Text report	●	●	●	●
Features export (IGES and STEP)	●	●	●	●
Measured profiles export (IGES, STEP and ASCII files)	●	●	●	●
Excel report	●	●	●	●
XML export also for industry 4.0	●	●	●	●
Metrology gate	●	●	●	●
Mesh Point clouds export (STL)	—	—	—	○
Color map surface reporting	—	—	—	○
Offline programming	—	—	—	○
Hardware and measuring mode				
Thermal compensation	●	●	●	●
Probe definition and calibration	●	●	●	●
Program launcher and Job Organizer (Easy Runner)	○	○	○	○
Probe changer racks	—	—	—	●
Non-contact measure with laser scanner	—	—	—	○
Scanning mode inspection with SP25 and SP80	—	—	—	○
5 axes measure with PH20	—	—	—	○
Integration with automation processes	—	—	—	○
Miscellaneous				
IGES/STEP neutral CAD file import	●	●	●	●
CAD transformations (rotations, translations and mirror copies)	●	●	●	●
CAD layers import and managing	●	●	●	●
Native CAD file translators	○	○	○	○
Part program mirroring	●	—	—	●
Text to speech	●	●	●	●
Creation of custom functionalities by plugins	●	●	●	●
Certified algorithms by PTB	●	●	●	●
User profiles with different permissions	●	●	●	●
Floating, multiple and educational licenses	○	—	—	○

● Included ○ Optional — Not available

WWW.TOUCHDMIS.COM



Strada Statale 25, n°3
10050 – Bruzolo (To)
ITALY
TELEFONO
+39 011 963 5511
info@coord3.com
www.coord3.com

TouchDMIS
One Touch Measurement

Distribuito da / Authorized Dealer / Vertrieben durch: